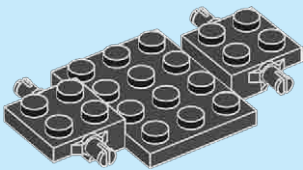
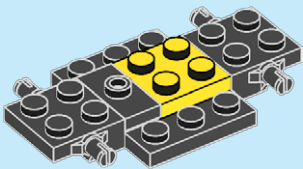




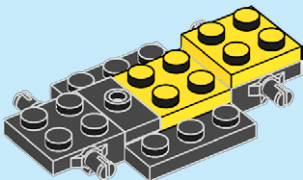
1



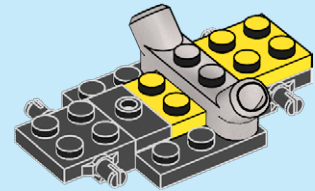
2



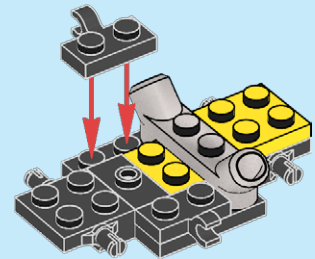
3



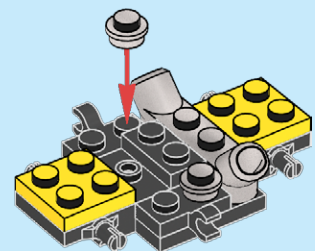
4



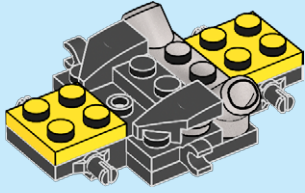
5



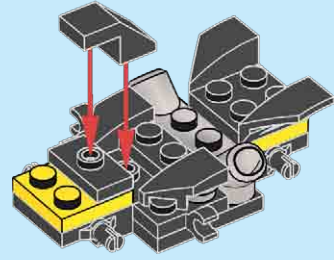
6



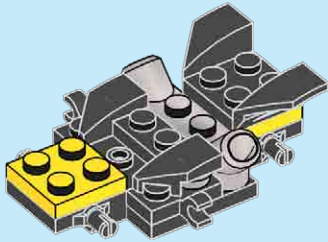
7



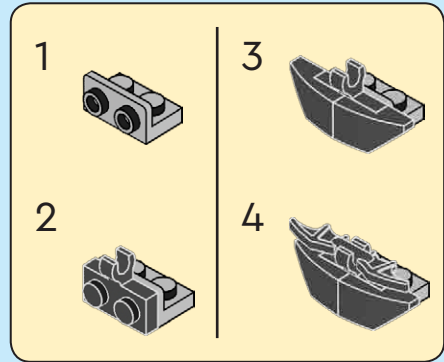
10



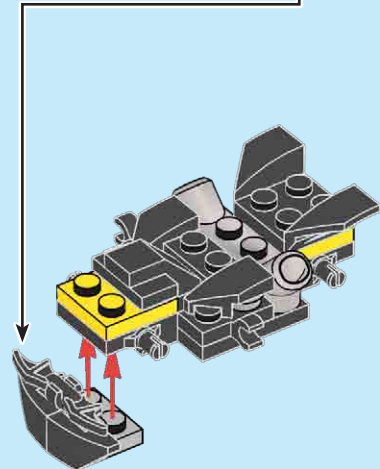
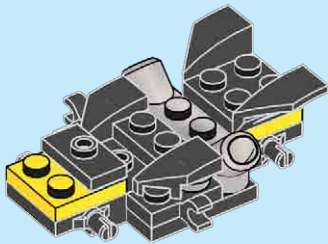
8



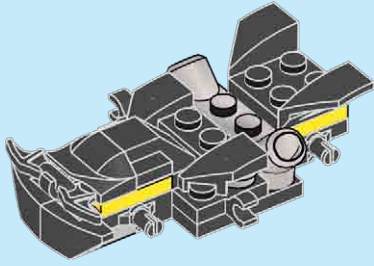
11



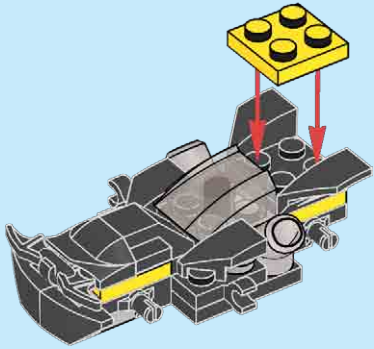
9



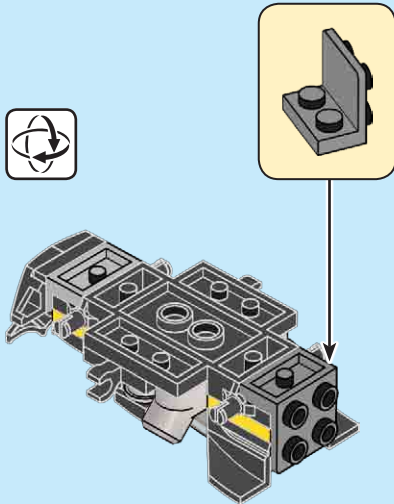
12



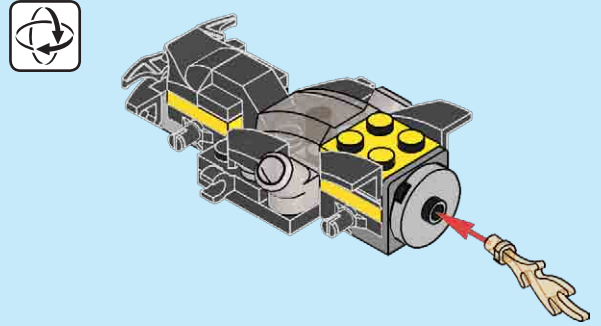
13



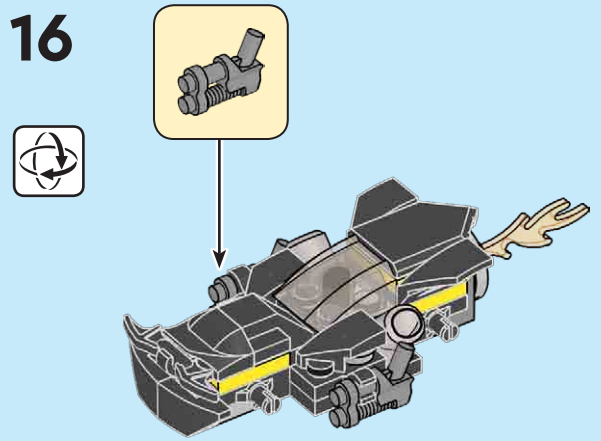
14



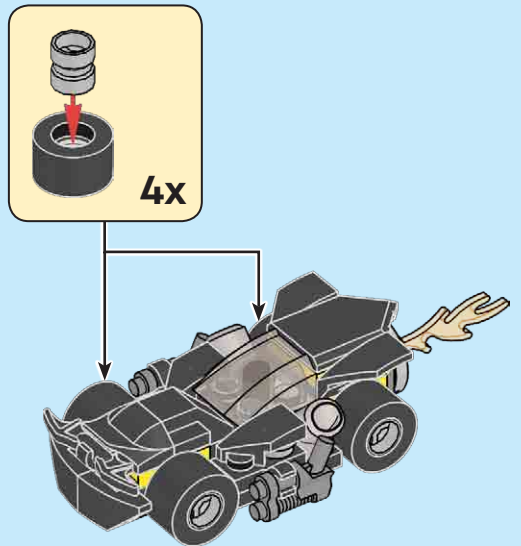
15



16



17



LEGO, the LEGO logo, the Minifigure and the Brick and Knob configurations are trademarks and/or copyrights of the LEGO Group. 2022 The LEGO Group. All rights reserved.



Copyright © 2022 DC Comics. BATMAN and all related characters and elements © & ™ DC Comics. WB SHIELD: © & ™ WBEL. (s22)



Manufactured by Blue Ocean Entertainment AG under licence from the LEGO Group.